

ADVANCE DC LINK CAPACITORS (ADC-CPx series)

ADC-CPx Series capacitors available in FR grade plastic case (PBT and Akulon) filled with self-extinguishing FR grade UL94VO resin. Available in both Screw (ADC-CPS) and Flange (ADC-CPF) terminals with integrated bottom clamp for mounting.

Specifications:

Capacitance Range	: 20 μ F to 200 μ F
Rated Voltage range	: 500Vdc to 1800Vdc
Tolerance	: \pm 5% / \pm 10%
Irms Max	: 100A
Dielectric	: Metallised Polypropylene Film
Test voltage between terminals(10s)	: 1.3 x Vn DC
Insulation withstanding voltage between shorted terminals & body	: 4kVrms , 50Hz
ESR	: As low as 0.7m Ω
Temperature Range	: -40°C to +85°C
Climatic Category	: 40/85/21
Standard reference	: IEC 61071
RoHS Compliance	: Yes
Protection	: Protected / Unprotected

Marking

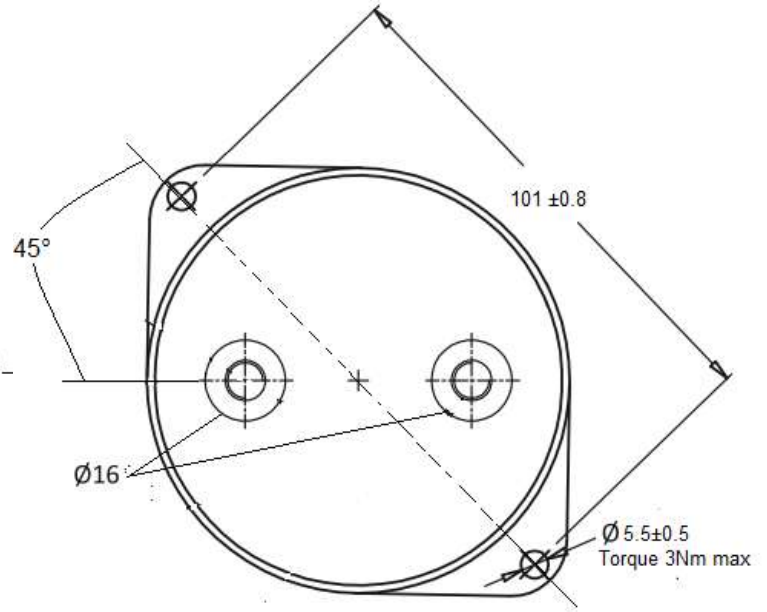
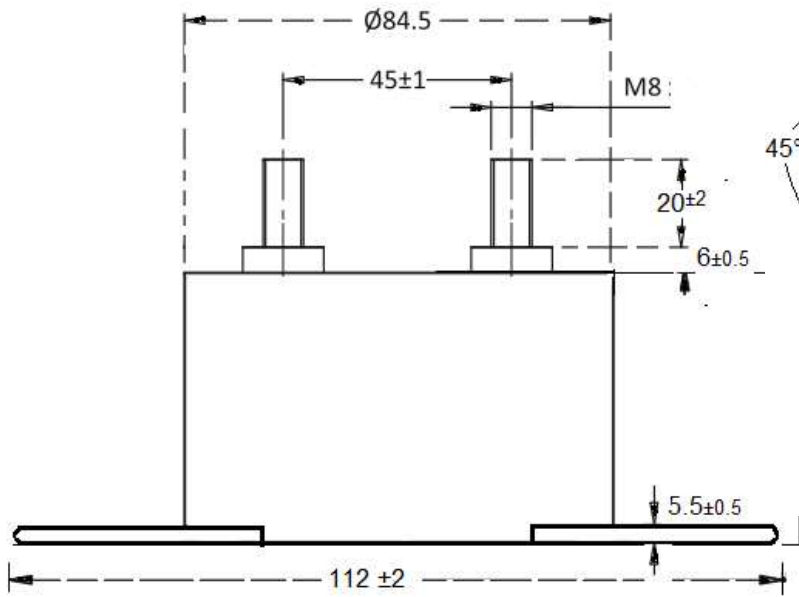
ADVANCE Value,
Tolerance Voltage, Current Part
Code
Mysore – India



Standard Capacitor Range :

Rated Voltage VDC	Nominal Capacitance μF @1kHz	Case Dia Dia x H1 (mm)	Typical ESR @10kHz	Rated Voltage VDC	Nominal Capacitance μF @1kHz	Case Dia Dia x H1 (mm)	Typical ESR @10kHz
700	85	85 x 40	$\leq 3.0\text{m}\Omega$	1100	50	85 x 51	$\leq 4.0\text{m}\Omega$
	100	85 x 51	$\leq 1.5\text{m}\Omega$		66	85x64	$\leq 1.5\text{m}\Omega$
	140	85 x 51	$\leq 1.5\text{m}\Omega$		75	85 x 64	$\leq 1.5\text{m}\Omega$
	200	85 x 64	$\leq 1.0\text{m}\Omega$		85	85 x 64	$\leq 1.5\text{m}\Omega$
	265	85x 64	$\leq 1.0\text{m}\Omega$		1200	35	85 x 40
800	20	85 x 40	$\leq 3.0\text{m}\Omega$	50		85 x 51	$\leq 4\text{m}\Omega$
	50	85 x 40	$\leq 2.5\text{m}\Omega$	66		85 x 64	$\leq 1.5\text{m}\Omega$
	66	85 x 40	$\leq 1.5\text{m}\Omega$	85		85 x 64	$\leq 1.5\text{m}\Omega$
	85	85 x 40	$\leq 1.5\text{m}\Omega$	120		85 x 64	$\leq 1.5\text{m}\Omega$
	100	85 x 51	$\leq 1.5\text{m}\Omega$	1400	25	85 x 40	$\leq 4\text{m}\Omega$
	140	85 x 51	$\leq 1.5\text{m}\Omega$		35	85 x 51	$\leq 4\text{m}\Omega$
	200	85 x 64	$\leq 1.0\text{m}\Omega$		50	85 x 64	$\leq 4\text{m}\Omega$
	260	85 x 64	$\leq 1.0\text{m}\Omega$		66	85 x 79	$\leq 1.5\text{m}\Omega$
900	66	85 x 40	$\leq 1.5\text{m}\Omega$		75	85 x 79	$\leq 1.5\text{m}\Omega$
	100	85 x 51	$\leq 1.5\text{m}\Omega$	1500	25	85 x 40	$\leq 4\text{m}\Omega$
	140	85 x 64	$\leq 1.5\text{m}\Omega$		35	85 x 51	$\leq 4\text{m}\Omega$
	200	85 x 79	$\leq 1.0\text{m}\Omega$		50	85 x 64	$\leq 4\text{m}\Omega$
1000	50	85 x 40	$\leq 4.0\text{m}\Omega$		66	85 x 64	$\leq 1.5\text{m}\Omega$
	66	85 x 51	$\leq 1.5\text{m}\Omega$	1600	25	85 x 51	$\leq 4\text{m}\Omega$
	85	85 x 51	$\leq 1.5\text{m}\Omega$		35	85 x 51	$\leq 4\text{m}\Omega$
	100	85 x 64	$\leq 1.5\text{m}\Omega$		50	85 x 79	$\leq 4\text{m}\Omega$
	140	85 x 79	$\leq 1.5\text{m}\Omega$	1800	10	85 x 40	$\leq 4\text{m}\Omega$
	170	85 x 79	$\leq 1.8\text{m}\Omega$		20	85 x 51	$\leq 3\text{m}\Omega$
			30		85 x 64	$\leq 3\text{m}\Omega$	

ADC-CPS type



ADC-CPF Type

